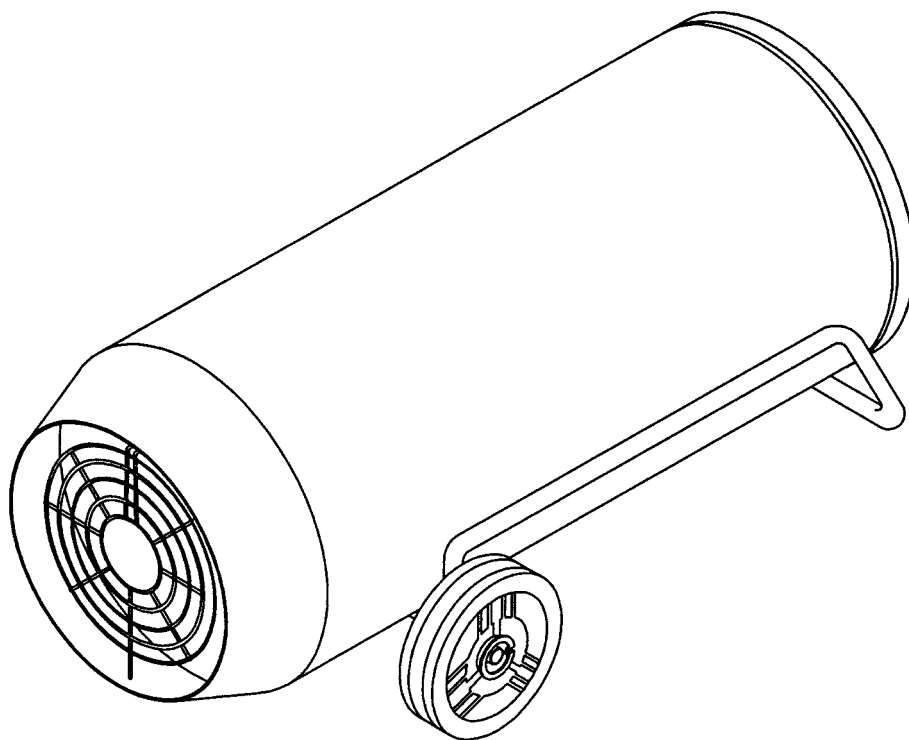


KSG 6000



**Reservedelsliste
Spare parts list
Ersatzteilliste
Onderdelenlijst
Liste de pièce de rechange
Lista dei pezzi di ricambio**

KSG 6000

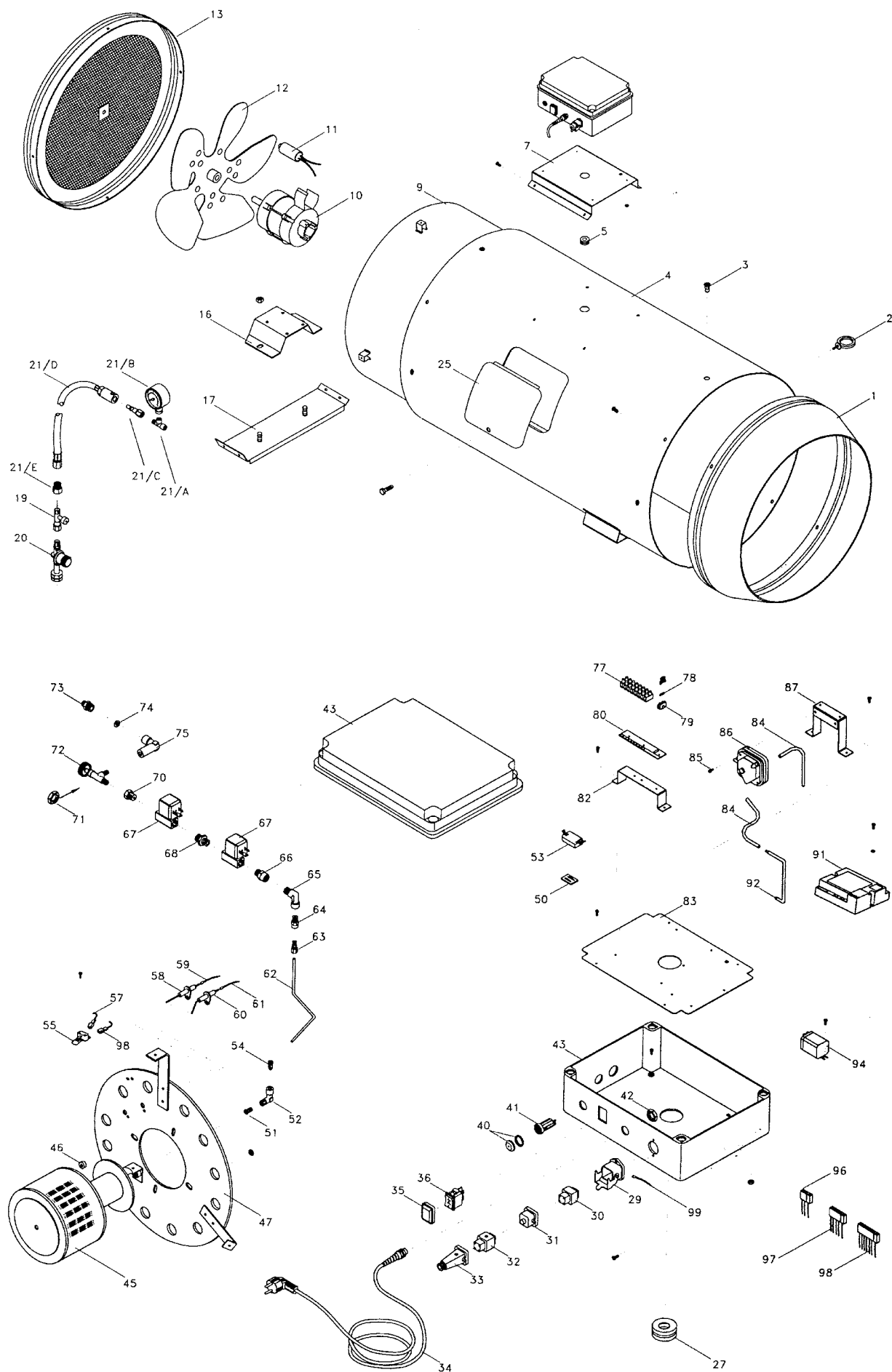


Fig.	Part no.	Pieces	Notes
1	9021094042036	1	Cone
2	9021023005900	1	Hook
3	9021019002100	1	Rivet
4	902xxxxxxxxxx	1	Body
5	9021002002100	1	Rubber ring
7	9021094040536	1	Electrical panel support
9	902xxxxxxxxxx	1	Combustion Chamber
10	9021040001433	1	Motor 450W 230V 50Hz
12	9021087001433	1	Fan D450 33°
13	9021090004436	1	Rear grid
16	9021094031200	1	Motor support upper part
17	9021094043436	1	Motor support lower part
19	9021069002136	1	Safety Valve
20	9021070001855	1	Pressure regulator 2 bar
21A	9021067014336	1	"T" fitting 1/8F+1/8F+1/8M
21B	9021067014436	1	Quick fitting 1/8F
21C	9021067014536	1	Fitting M20x1,5F + 3/8F
21D	9021077001436	1	Gas hose L = 2000 M20x1,5F
21E	9021092001236	1	Manometer 0-4 bar
25	902xxxxxxxxxx	1	Inspection door
27	9021002002100	1	Rubber ring
29	9021043000400	1	Socket casing
30	9021043000600	1	Socket Body
31	9021052001800	1	Socket cap
32	9021043000500	1	Plug body
33	9021043000700	1	Plug casing
34	9021039011636	1	Power cord
35	9021002002600	1	switch cap
36	9021032001800	1	Switch
38	9021031000200	1	Nut
40	9021002002855	1	Reset button cap
41	9021032002855	1	Reset button
42	9021031000100	1	Cable clamp
43	9021048002300	1	Electrical box
45	902xxxxxxxxxx	1	Burner
46	9021066012055	1	Spacer
47	9021094042136	1	Burner disc
50	9021001009700	1	Adhesive plate
51	9021088005300	1	Gas nozzle D. 2,00
52	9021066000455	1	"L" Nozzle fitting
53	9021052004236	1	EMC filter
54	9021067008400	1	Fitting + ogive D 6
55	9021036001955	1	Safety thermostat
57	9021039019136	1	Cable
58	9021030000355	1	Flame sensor
59	9021039020036	1	Cable
60	9021030000936	1	Ignition electrode
61	9021039020136	1	Cable
62	9021079002236	1	Copper pipe
63	9021067010255	1	Fitting 1/8M for copper pipe
64	9021067013200	1	Fitting 1/8M + 1/8F
65	9021067000400	1	"L" fitting 1/8M+1/8F
66	9021067004700	1	Fitting 1/4M+1/8F
67	9021042000500	1	Solenoid valve 230V 50 Hz
68	9021067003900	1	Nipple 1/4M 60° +1/4M
71	9021066005355	1	Nut 1/4
72	9021091000336	1	Gas tap
73	9021067003055	1	Nipple 1/4M 60° +1/8M 60°
75	9021066007536	1	"L" fitting 1/4F+1/8F
77	9021034000336	1	Terminal board
78	9021035000900	1	Fuse 6A D5x20
79	9021035001000	1	Fuse holder
80	9021105069800	1	Terminal board label
82	9021094041936	1	Terminal board support
84	9021080000600	1	Air hose
86	9021046000955	1	Pressure switch
87	9021094043036	1	Pressure switch support
91	9021047002236	1	Flame control unit
92	9021079002536	1	Copper pipe
94	9021052005500	1	Shut off relay 230VAC 50/60 Hz
96	9021039018536	1	Cable set
97	9021039018636	1	Cable set
98	9021039018736	1	Cable set

