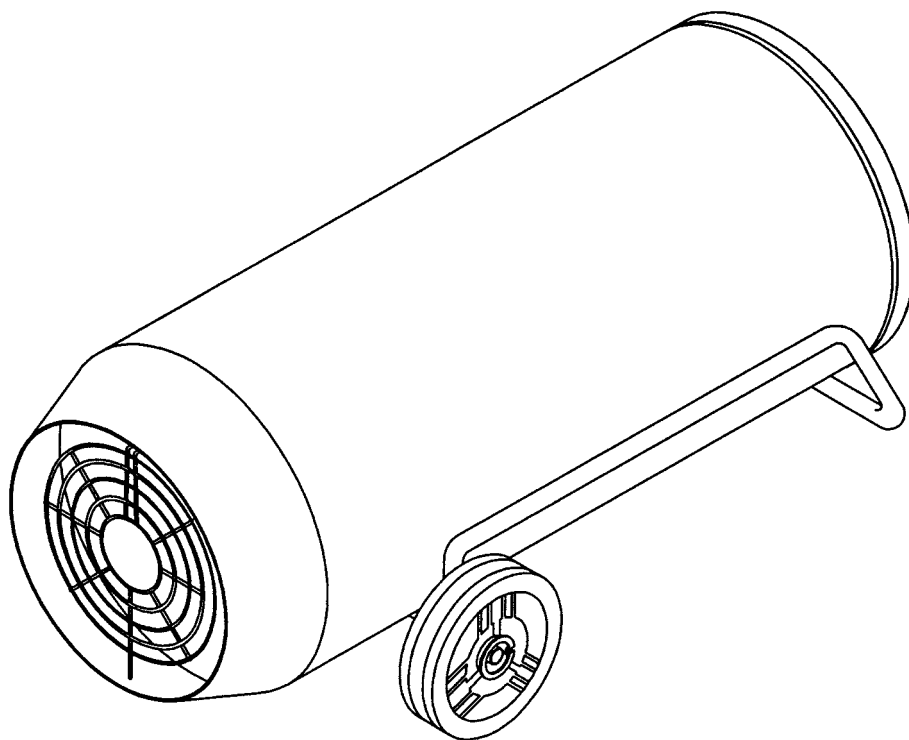


KSG 1500/3000



Reservedelsliste
Spare parts list
Ersatzteilliste
Onderdelenlijst
Liste de pièce de rechange
Lista dei pezzi di ricambio

KSG 1500

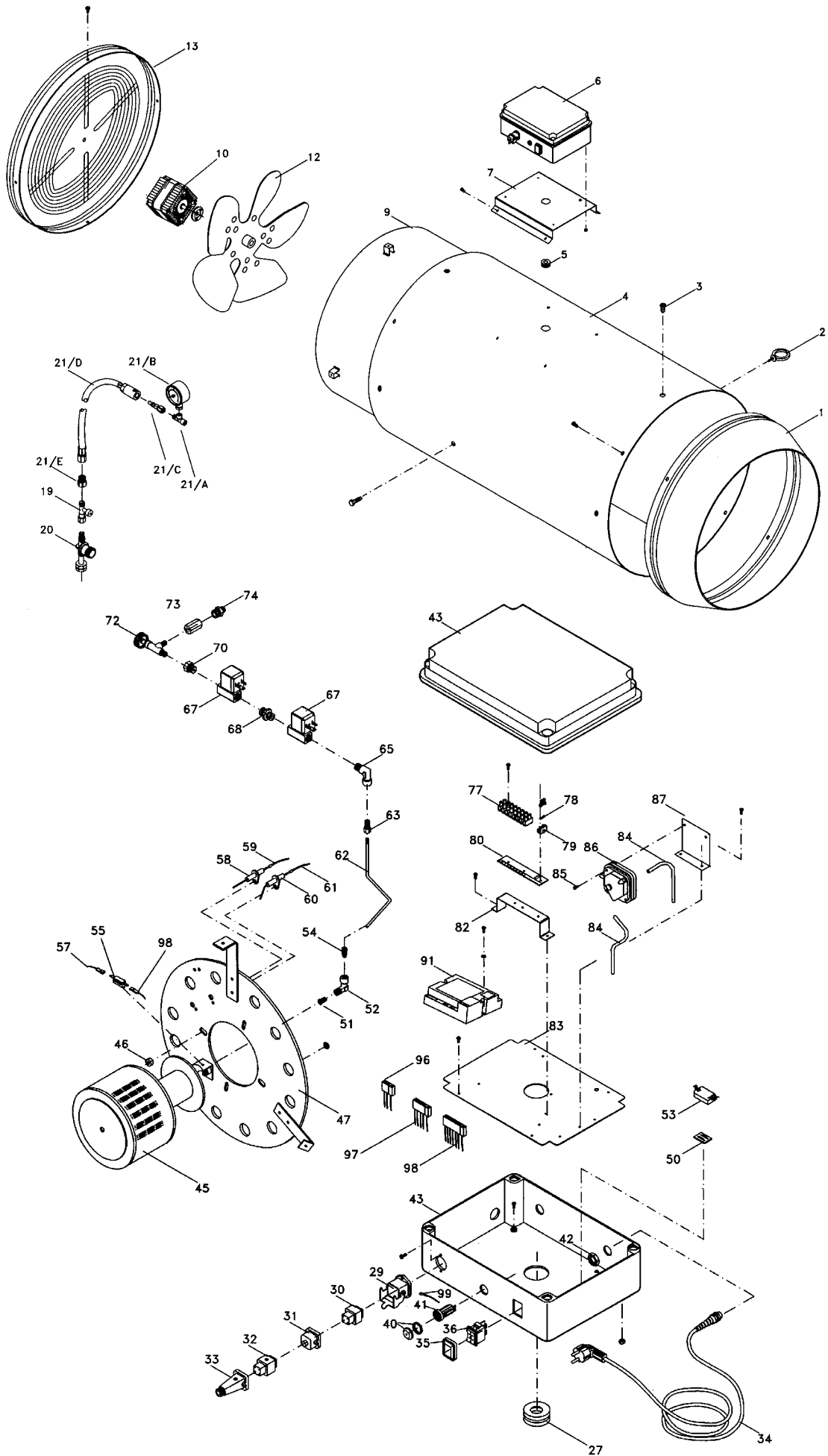


Fig.	Part no.	Pieces	Notes
1	9021094050236	1	Cone
2	9021023005900	1	Hook
3	9021019002100	1	Rivet
4	9021094050036	1	Body
5	9021002002100	1	Rubber ring
7	9021094046136	1	Electrical panel support
9	9021094050136	1	Combustion Chamber
10	9021040008455	1	Motor 110W 239 V 50 Hz
12	9021087003844	1	Fan D350 23°
13	9021090005336	1	Rear grid
19	9021069001955	1	Safety Valve
20	9021070001755	1	Pressure regulator 1,5 bar
21A	9021067014336	1	"T" fitting 1/8F+1/8F+1/8M
21B	9021092001236	1	Manometer 0-4 bar
21C	9021067014436	1	Quick fitting 1/8F
21D	9021077001436	1	Gas hose L = 2000 M20x1,5F
21E	9021067014536	1	Fitting M20x1,5F + 3/8F
27	9021002002100	1	Rubber ring
29	9021043000400	1	Socket casing
30	9021043000600	1	Socket Body
31	9021052001800	1	Socket cap
32	9021043000500	1	Plug body
33	9021043000700	1	Plug casing
34	9021039011636	1	Power cord
35	9021002002600	1	switch cap
36	9021032001800	1	Switch
40	9021002002855	1	Reset button cap
41	9021032002855	1	Reset button
42	9021031000200	1	Nut
43	9021048002300	1	Electrical box
45	902xxxxxxxxxx	1	Burner
46	9021066012055	1	Spacer
47	9021094050536	1	Burner disc
50	9021001009700	1	Adhesive plate
51	9021088005000	1	Gas nozzle D. 1.50
52	9021066000455	1	"L" Nozzle fitting
53	9021052004236	1	EMC filter
54	9021067008400	1	Fitting + ogive D 6
55	9021036001955	1	Safety thermostat
57	9021039019136	1	Cable
58	9021030000355	1	Flame sensor
59	9021039020036	1	Cable
60	9021030000936	1	Ignition electrode
61	9021039020136	1	Cable
62	9021079002236	1	Copper pipe
63	9021067008400	1	Fitting + ogive D 6
65	9021066000455	1	"L" fitting 1/8M+1/8F
67	9021042000500	1	Solenoid valve 230V 50 Hz
68	9021067003900	1	Nipple 1/4M 60° + 1/4M
70	9021067004700	1	Fitting 1/4M + 1/8F
72	9021091000336	1	Gas tap
73	9021066007355	1	Fitting 1/4F + 1/8F
74	9021067003055	1	Nipple 1/4M 60° + 1/8M60°
78	9021035000400	1	Fuse 4A D5x20
77+79	9021034001536	1	Terminal board
80	9021105085236	1	Terminal board label
82	9021094050436	1	Terminal board support
84	9021080000600	1	Air hose
86	9021046000955	1	Pressure switch
91	9021047002236	1	Flame control unit
96	9021039018536	1	Cable set
97	9021039018636	1	Cable set
98	9021039018736	1	Cable set

KSG 3000

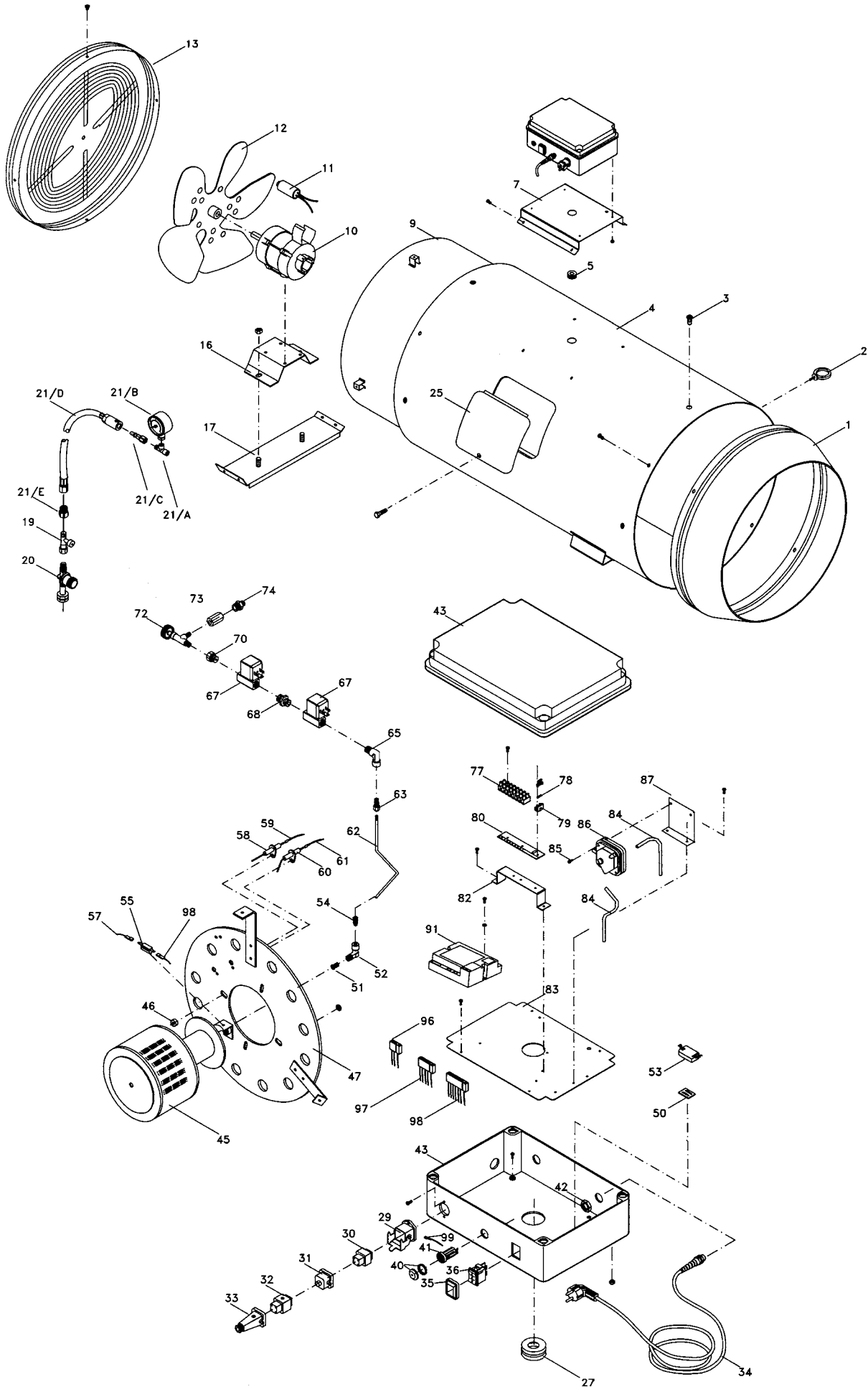


Fig.	Part no.	Pieces	Notes
1	9021094050236	1	Cone
2	9021023005900	1	Hook
3	9021019002100	1	Rivet
4	902xxxxxxxxxx	1	Body
5	9021002002100	1	Rubber ring
7	9021094046139	1	Electrical panel support
9	902xxxxxxxxxx	1	Combustion Chamber
10	9021040000500	1	Motor 140W 230V 50Hz
11	9021049001000	1	Capacitor 6,3 YF
12	9021087000536	1	Fan D300 27°
13	9021090001300	1	Rear grid
16	9021094031200	1	Motor support upper part
17	9021094043436	1	Motor support lower part
19	9021069002136	1	Safety Valve
20	9021070001855	1	Pressure regulator 2 bar
21A	9021067014336	1	"T" fitting 1/8F+1/8F+1/8M
21B	9021092001236	1	Manometer 0-4 bar
21C	9021067014436	1	Quick fitting 1/8F
21D	9021077001436	1	Gas hose L = 2000 M20x1,5F
21E	9021067014536	1	Fitting M20x1,5F + 3/8F
25	902xxxxxxxxxx	1	Inspection door
27	9021002002100	1	Rubber ring
29	9021043000400	1	Socket casing
30	9021043000600	1	Socket Body
31	9021052001800	1	Socket cap
32	9021043000500	1	Plug body
33	9021043000700	1	Plug casing
34	9021039011636	1	Power cord
35	9021002002600	1	switch cap
36	9021032001800	1	Switch
40	9021002002855	1	Reset button cap
41	9021032002855	1	Reset button
42	9021031000100	1	Cable clamp
43	9021048004800	1	Electrical box
45	902xxxxxxxxxx	1	Burner
46	9021066012055	1	Spacer
47	9021094050536	1	Burner disc
50	9021001009700	1	Adhesive plate
51	9021088005300	1	Gas nozzle D. 2,00
52	9021066000455	1	"L" Nozzle fitting
53	9021052004236	1	EMC filter
54	9021067008400	1	Fitting + ogive D 6
55	9021036001955	1	Safety thermostat
57	9021039019136	1	Cable
58	9021030000355	1	Flame sensor
59	9021039020036	1	Cable
60	9021030000936	1	Ignition electrode
61	9021039020136	1	Cable
62	9021079002636	1	Copper pipe
63	9021067008400	1	Fitting + ogive D 6
65	9021066000455	1	"L" nozzle fitting
66	9021067004700	1	Fitting 1/4M+1/8F
67	9021042000500	1	Solenoid valve 230V 50 Hz
68	9021067003900	1	Nipple 1/4M 60°+1/4M
70	9021067004700	1	Fitting 1/4M+1/8F
72	9021091000336	1	Gas tap
73	9021066007355	1	Fitting 1/4F + 1/8M
74	9021067003055	1	Nipple 1/4M 60° + 1/4M 60°
78	9021035000400	1	Fuse 4A D5x20
77+79	9021034001536	1	Terminal board
80	9021105085236	1	Terminal board label
82	9021094050436	1	Terminal board support
84	9021080000600	1	Air hose
86	9021046000955	1	Pressure switch
91	9021047002236	1	Flame control unit
96	9021039018536	1	Cable set
97	9021039018636	1	Cable set
98	9021039018736	1	Cable set

