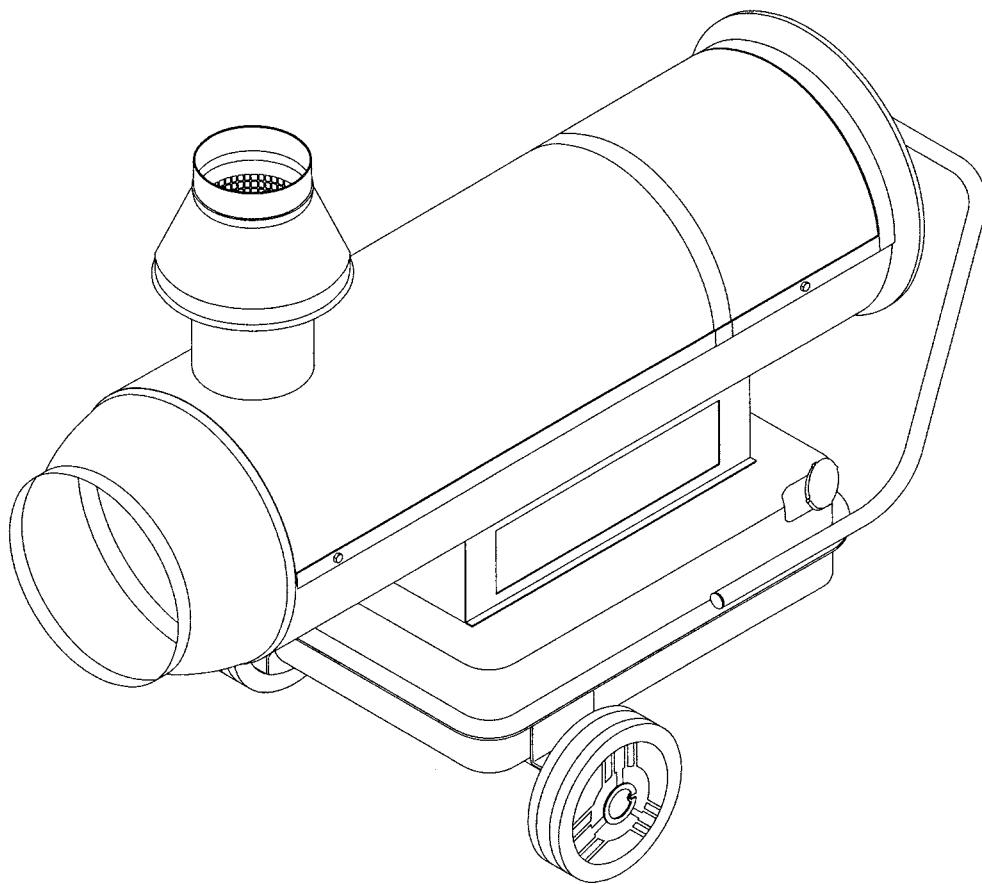


## ***KAI 25/35/50 HC***



**Reservedelsliste**  
**Spare parts list**  
**Ersatzteilliste**  
**Onderdelenlijst**  
**Liste de pièce de rechange**  
**Lista dei pezzi di ricambio**

# KAI 25/35/50 HC

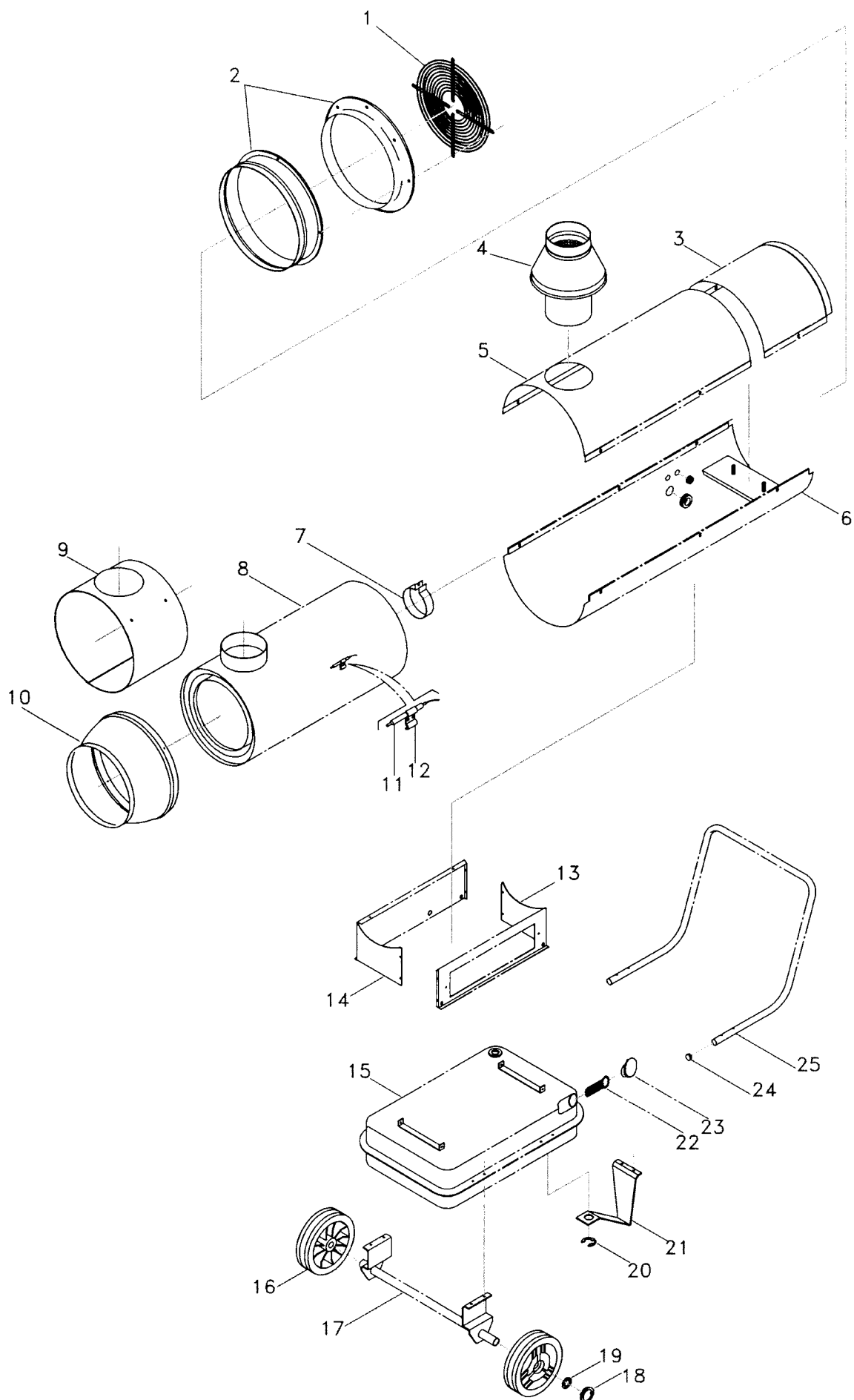


Fig.	Part no.	Pieces	Notes
1	9021090001300	1	Rear Grid KAI 25/35 HC
1	9021090001533	1	Rear Grid KAI 50 HC
2	9020000000053	1	Air Conveyor KAI 25 HC
2	9020000000054	1	Air Conveyor KAI 35 HC
2	9020000000055	1	Air Conveyor KAI 50 HC
3	9020000000164	1	Inspection door KAI 25 HC
3	9020000000162	1	Inspection door KAI 35 HC
3	9020000000161	1	Inspection door KAI 50 HC
4	9021094000100	1	Exhaust Hood
5	9020000000056	1	Cover KAI 25 HC
5	9020000000057	1	Cover KAI 35 HC
5	9020000000058	1	Cover KAI 50 HC
6	9020000000070	1	Lower body KAI 25 HC
6	9020000000069	1	Lower body KAI 35 HC
6	9020000000068	1	Lower body KAI 50 HC
7	9021094001800	1	Adjusting ring KAI 25 HC
7	9021094001700	1	Adjusting ring KAI 35/50 HC
8	9020000000021	1	Combustion chamber KAI 25 HC
8	9020000000022	1	Combustion chamber KAI 35 HC
8	9020000000023	1	Combustion chamber KAI 50 HC
9	9020000000166	1	Chamber shield
10	9020000000046	1	Cone KAI 25/35 HC
10	9020000000045	1	Cone KAI 50 HC
11	9021036001500	1	Safety Thermostat
12	9021094012735	1	Thermostat bracket
13	9020000000189	1	Side Panel KAI 25/35 HC
13	9020000000186	1	Side Panel KAI 50 HC
14	9020000000188	1	Side Panel KAI 25 HC
14	9020000000190	1	Side Panel KAI 35 HC
14	9020000000187	1	Side Panel KAI 50 HC
15	9020000000181	1	Tank KAI 25 HC
15	9020000000180	1	Tank KAI 35 HC
15	9020000000179	1	Tank KAI 50 HC
16	9021004000500	2	Wheel
17	9020000000002	1	Axle KAI 25 HC
17	9020000000001	1	Axle KAI 35/50 HC
18	9021005000300	2	Cap
19	9021022000200	2	Seeger ring
20	9021023001500	2	Spring
21	9021094002600	1	Foot
22	9021086001000	1	Filter
23	9021005000100	1	Tank cap
24	9021005001000	1	Handle cap
25	9020000000107	1	Handle KAI 25 HC
25	9020000000106	1	Handle KAI 35/50 HC

# KAI 25/35/50 HC

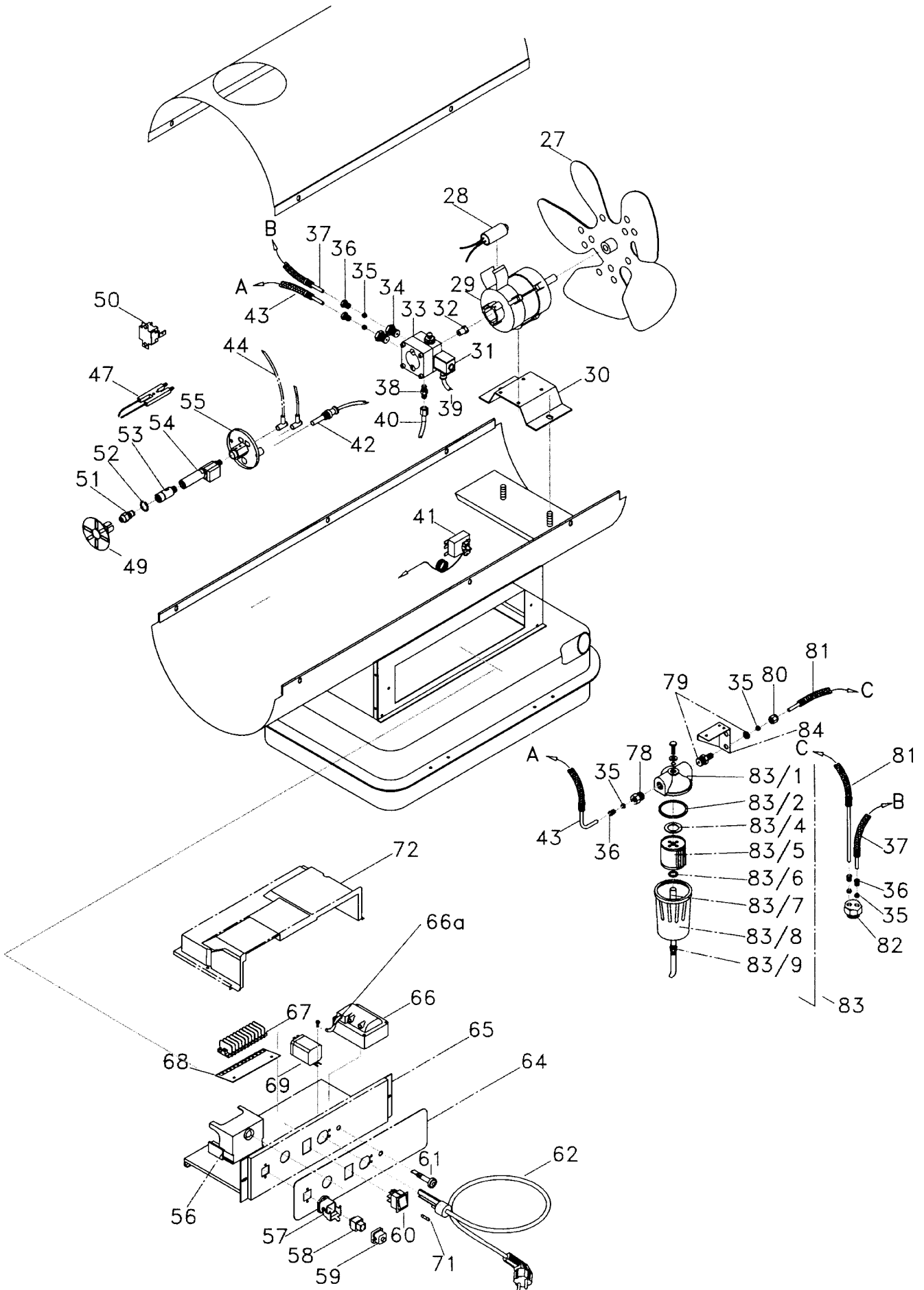


Fig.	Part no.	Pieces	Notes
27	9021087001333	1	Ventilator, KAI 25/35 HC
27	9021087001433	1	Ventilator, KAI 50 HC
28	9021049001000	1	Capacitor, KAI 25 HC
28	9021049001100	1	Capacitor, KAI 35 HC
28	9021049001200	1	Capacitor, KAI 50 HC
29	9021040001300	1	Motor, KAI 25/35 HC
29	9021040001433	1	Motor, KAI 50 HC
30	9021094030200	1	Motorsupport KAI 25/35 HC
30	9021094030300	1	Motorsupport KAI 50 HC
31	9021089004300	1	Coil
32	9021001001300	1	Coupling, KAI 25/35 HC
32	9021001001400	1	Coupling, KAI 50 HC
33	9021089002500	1	Pump, KAI 25/35 HC
33	9021089005000	1	Pump, KAI 50 HC
34	9021066001300	1	Fitting, All models
35	9021067009100	1	Ogive
36	9021066001600	1	Nut
37	9021078000600	1	Return hose, KAI 25 HC
37	9021078000500	1	Return hose, KAI 35 HC
37	9021078000900	1	Return hose, KAI 50 HC
38	9021067004100	1	Nipple
39	9021043002700	1	Cable
40	9021076004300	1	Microhose
41	9021036001500	1	Safety thermostat
42	9021050000200	1	Photocell
43	9021078000200	1	Hose, filter-pump, KAI 25 HC
43	9021078000100	1	Hose, filter-pump, KAI 35/50 HC
44	9021039022300	2	HT cable
44	9021039013000	2	HT cable
47	90210300022100	1	Electrode
49	9020000000094	1	Deflector
50	9021036003800	1	Fan thermostat
51	9021088002300	1	Nozzle, KAI 25 HC, 0.6 60° S
51	9021088002000	1	Nozzle, KAI 35 HC, 0.75 60° W
51	9021088002100	1	Nozzle, KAI 50 HC, 1.1 60° H
52	9021022000500	1	Seeger
53	9021066006000	1	Pre-heated head connector
54	9021052001900	1	Pre-heated Burner head
55	9021094002800	1	Burner head
56	9021047001100	1	Flame control unit
57	9021043000600	1	Socket casing
58	9021043000400	1	Socket
59	9021052001800	1	Socket cap
60	9021032001700	1	Switch on/off
61	9021041001700	1	Control light
62	9020000000xxx	1	Power cord, KAI 25/35 HC
62	9020000000094	1	Power cord, KAI 50 HC
64	9021105086100	1	Panel label
65	9021094054900	1	Panel
66	9021033000200	1	Transformer
66A	9021039025200	1	Transformer cable
67	9021034001700	1	Terminal board
68	9021105093500	1	Terminal board label
69	9021052005500	1	Relay 230V 50/60 HZ
71	9021035000400	1	Fuse 4A D.5X20 Delayed, KAI 25/35 HC
71	9021035000900	1	Fuse 6A D.5X20 Delayed, KAI 50 HC
72	9021001007500	1	Cover
75	9021032000300	1	Switch
76	9021035001000	1	Fuse holder
77	9021035000400	1	Fuse, KAI 25/35 HC
77	9021035000900	1	Fuse, KAI 50 HC
78	9021066001400	1	Fitting
79	9021066001500	1	Fitting
80	9021066001700	1	Nut
81	9021078000300	1	Sucking hose, KAI 25/35 HC
81	9021078000800	1	Sucking hose, KAI 50 HC
82	9021066001200	1	Fitting

# KAI 25/35/50 HC

